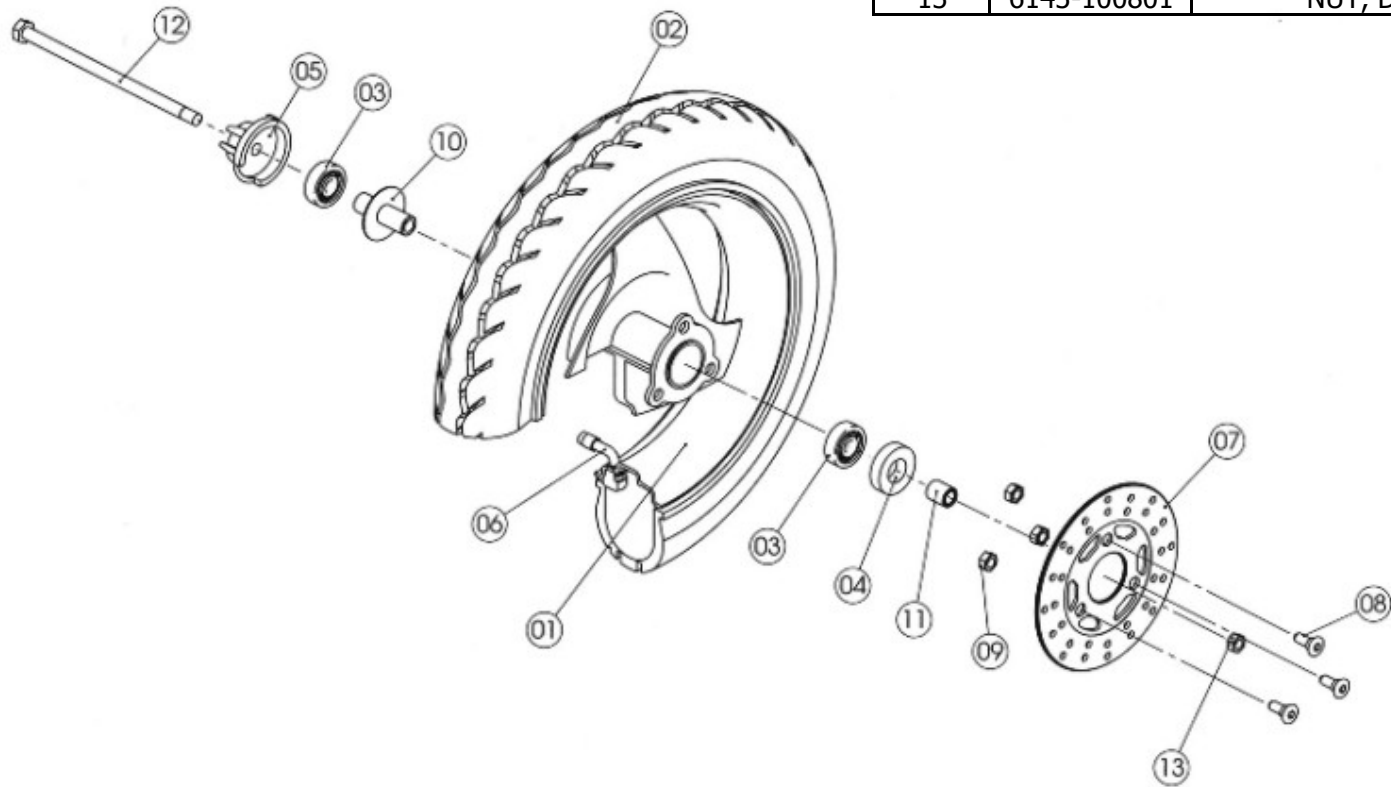
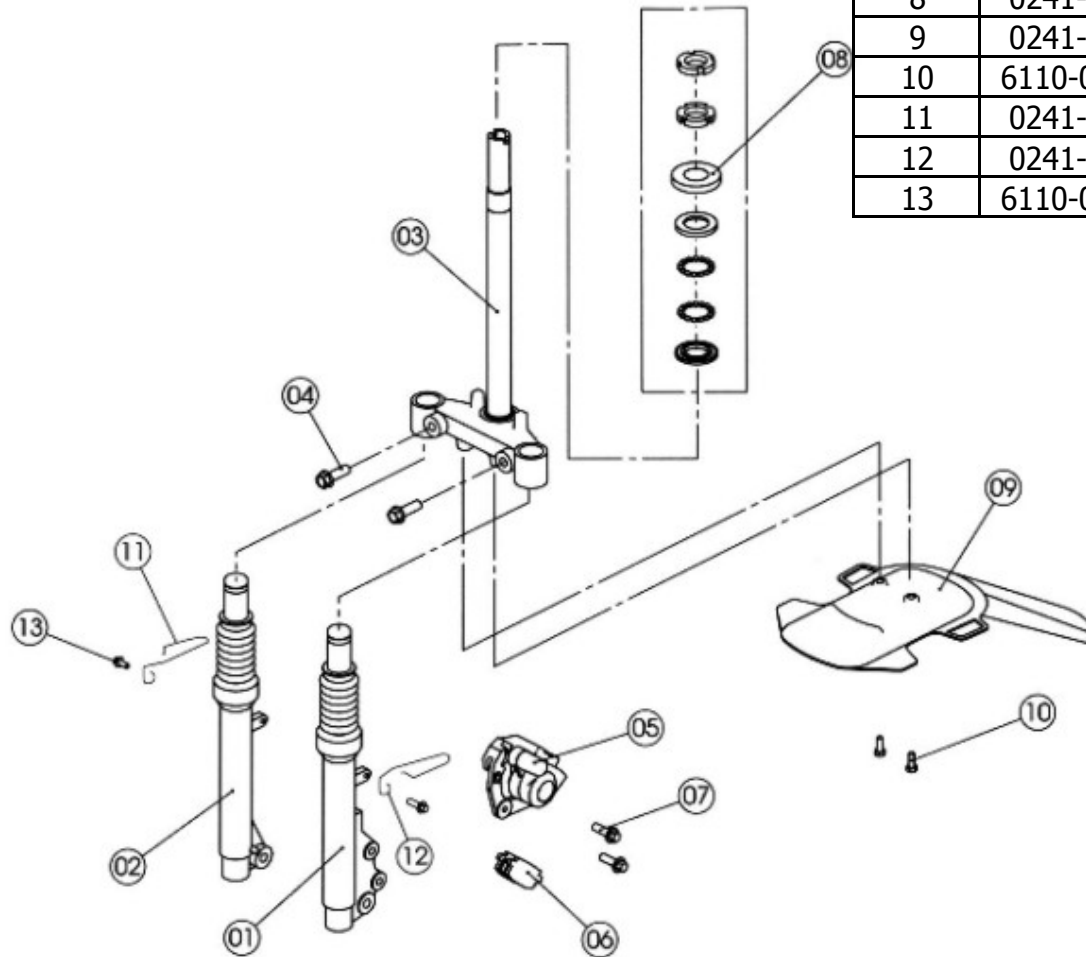
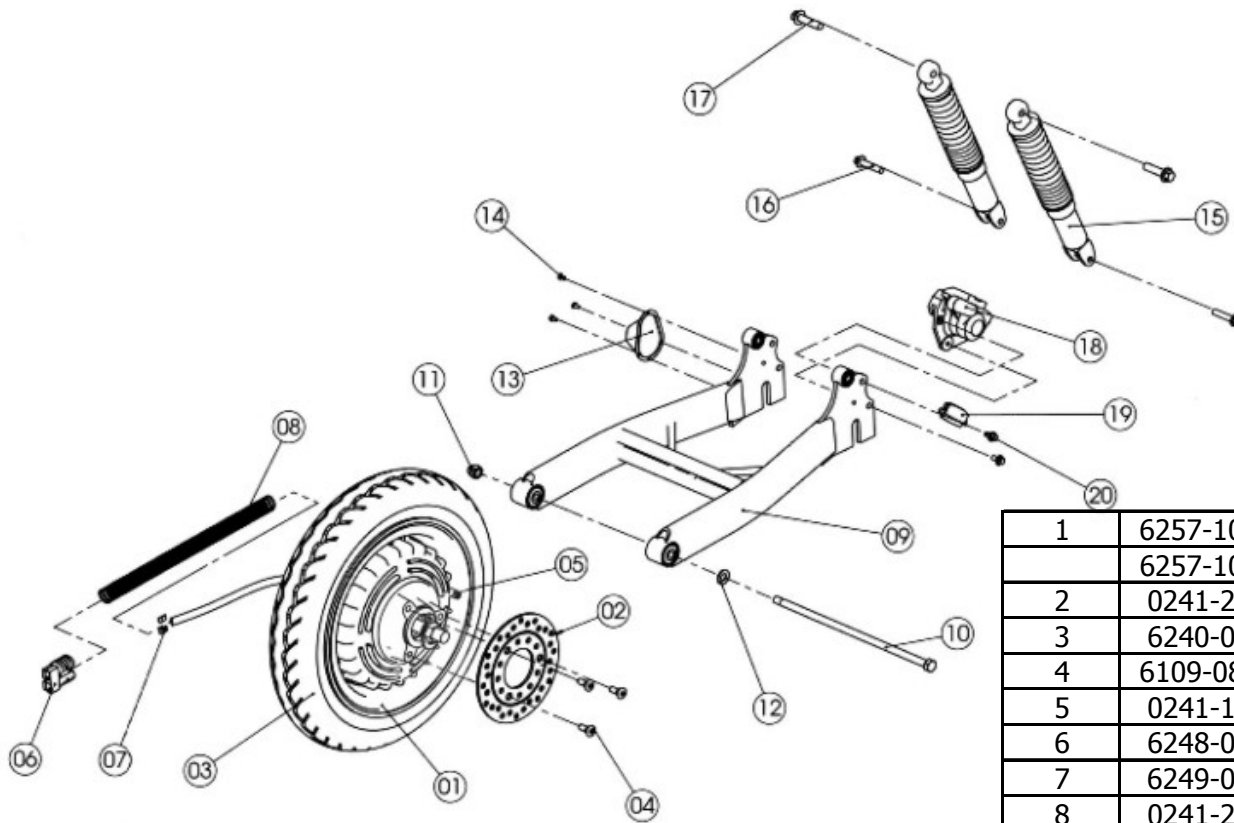


1	0241-10201	RIM, FRONT
2	6240-00001	TIRE TUBELESS
3	6162-60024	BEARING
4	0241-10401	OIL SEAL
5	0241-10501	SPEEDOMETER GEAR SET
6	0241-10601	TIRE VALVE
7	0241-10701	BRAKE DISC, FRONT
8	6109-080171	SCREW
9	6142-080855	NUT, DOME HEAD
10	0241-10311	COLLAR
11	0241-10321	COLLAR
12	6113-101901	BOLT
13	6143-100801	NUT, DOME HEAD

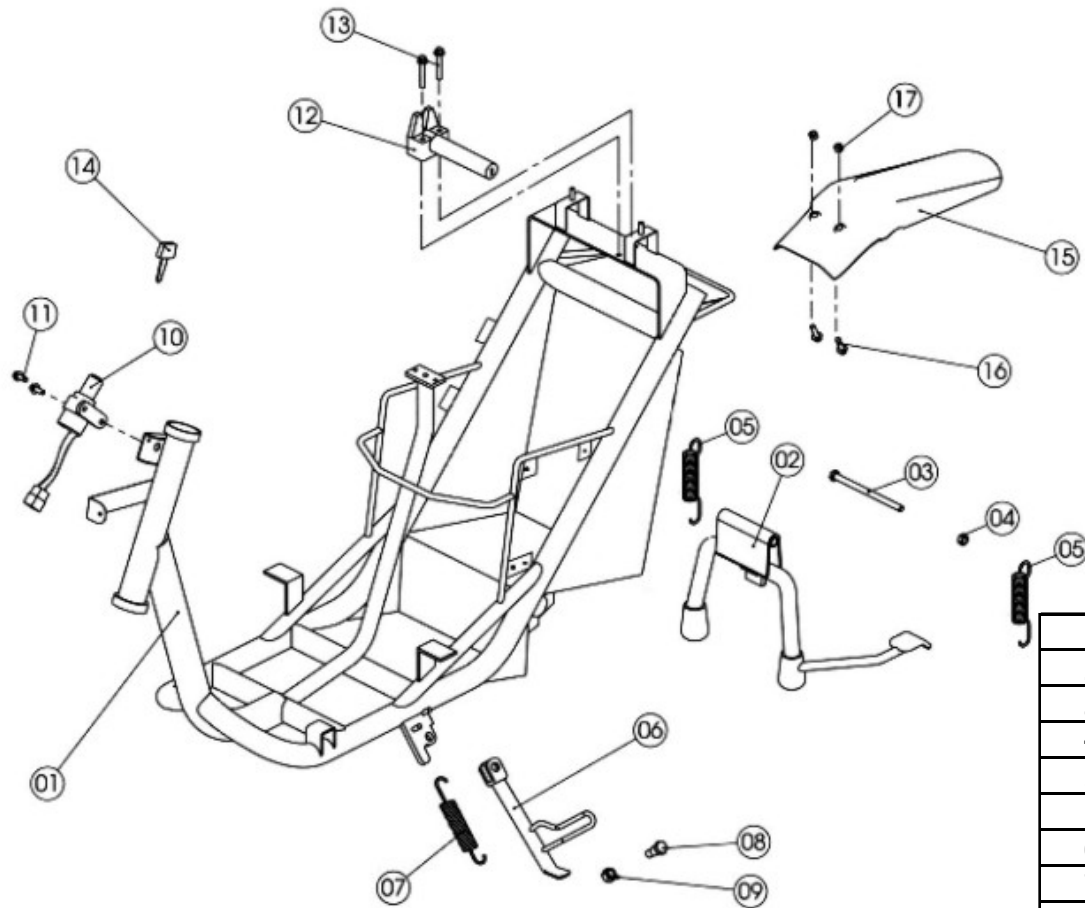


1	0241-30111	FORK , LEFT
2	0241-30112	FORK , RIGHT
3	0241-30131	BRACKET, FORK
4	6112-100305	SCREW, FLANGE
5	0241-30511	CALIPER, FRONT
	0241-30512	CALIPER, FRONT
6	0241-30521	BRAKE PAD
7	6112-080258	SCREW, NYLOK
8	0241-30601	BALL, RACE
9	0241-71601	FENDER, FRONT
10	6110-060158	SCREW, HEX HEAD
11	0241-30601	CABLE GUIDE, LEFT
12	0241-30602	CABLE GUIDE, RIGHT
13	6110-060151	SCREW, HEX HEAD



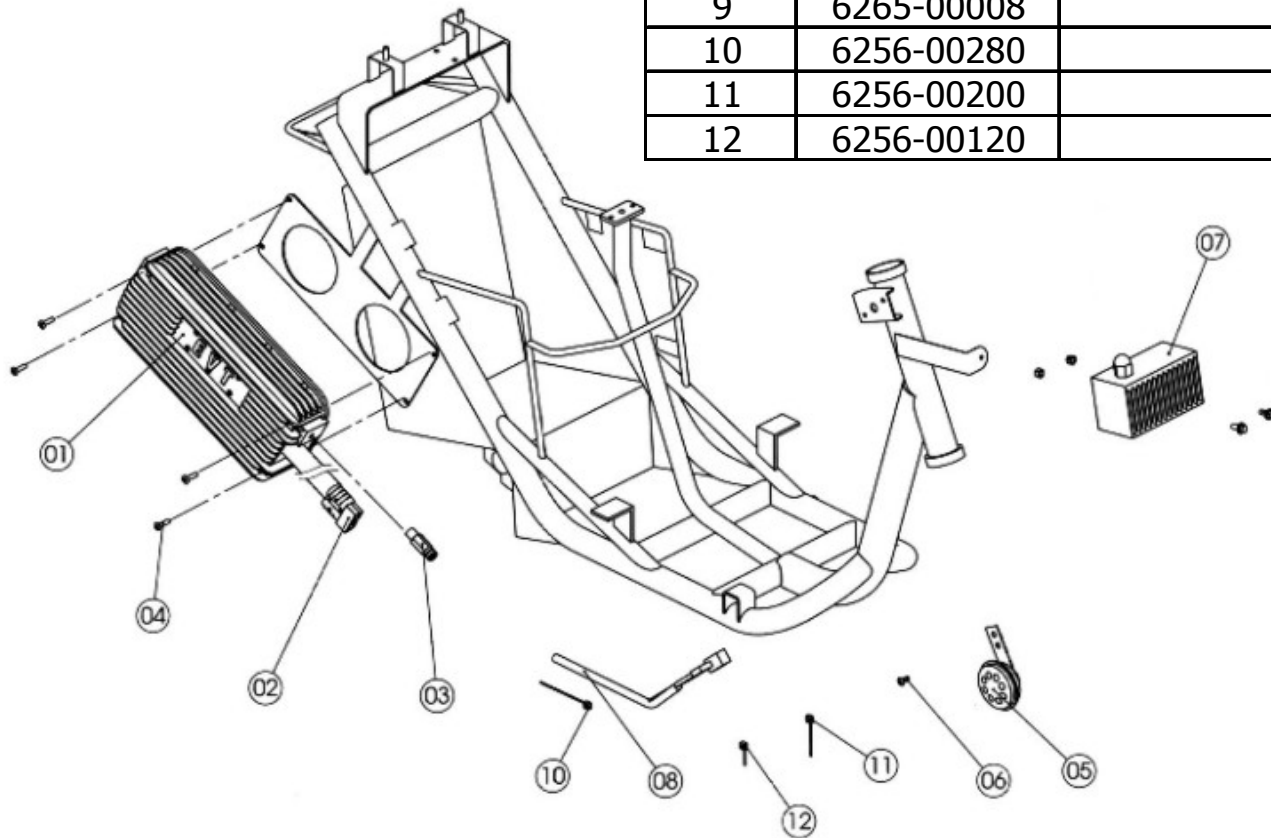


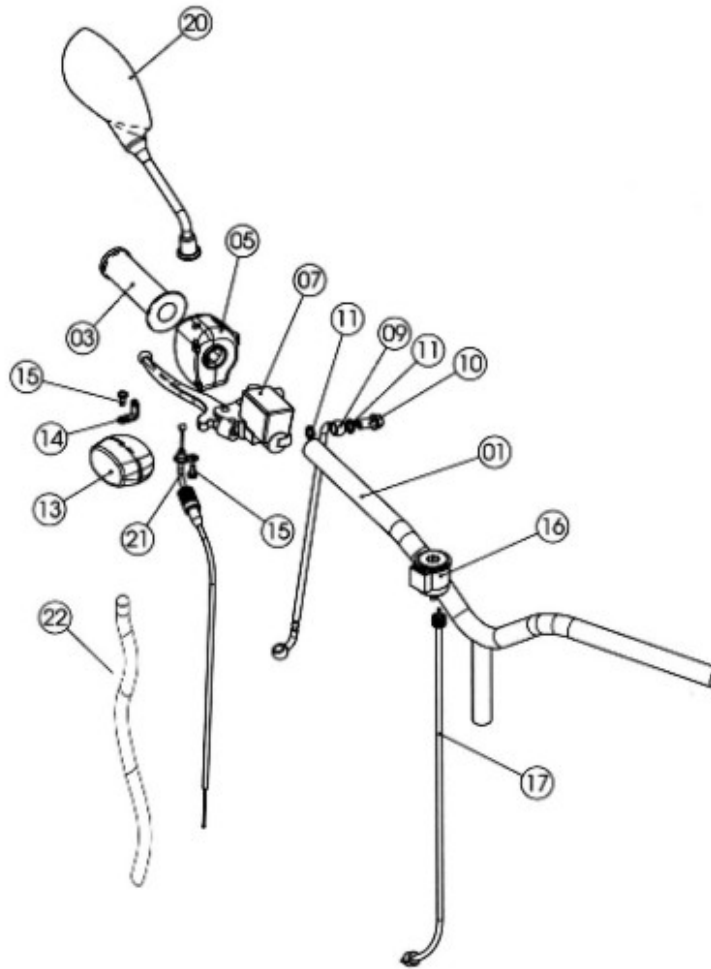
1	6257-101500	MOTOR ASSY.
	6257-102000	MOTOR ASSY. (Israel)
2	0241-20201	BRAKE DISC, REAR
3	6240-00001	TIRE, TUBELESS
4	6109-080171	SCREW, SOCKET
5	0241-10601	TIRE VALVE
6	6248-00001	CONNECTOR, BLACK
7	6249-00001	TERMINAL
8	0241-20501	SPRING, MOTOR CORD
9	0241-50701	REAR FORK SET
10	6113-103001	BOLT
11	6143-100801	NUT, DOME
12	6150-1030305	WASHER
13	0241-51601	COVER, MOTOR CORD
14	6162-040801	SCREW, PAN
15	6251-00001	SHOCK ABSORBER, REAR
16	6112-080358	SCREW, HEX FLANGE
17	6113-100407	SCREW, HEX FLANGE
18	0241-30511	CALIPER
19	0241-30521	BRAKE PAD
20	6112-080258	SCREW, NYLOK



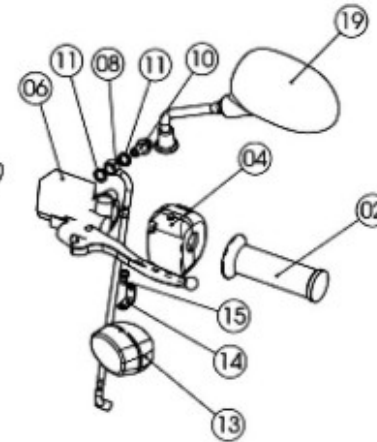
1	0241-50101	FRAME
2	0241-50201	MAIN STAND
3	6111-081255	BOLT
4	6142-080855	NUT, FLANGE
5	0241-50301	SPRING, MAIN STAND
	0241-50302	SPRING, MAIN STAND
6	0241-50401	SIDE STAND
7	0241-50411	SPRING, SIDE STAND
	0241-50412	SPRING, SIDE STAND
8	0241-51301	BOLT
9	6140-100805	NUT
10	0241-50811	MAIN SWITCH STEERING LOCK
12	0241-50821	SEAT LOCK SET
14	0241-50831	KEY
13	6111-060408	SCREW, HEX
11	6111-060408	SCREW, HEX
15	0241-71701	FENDER, REAR
16	6110-060208	SCREW
17	6141-060608	NUT

1	6252-00045	CONTROLLER (export)
	6252-00060	CONTROLLER (local)
2	6248-00002	CONNECTOR, RED
3	6252-00003	PILLAR
4	6126-052007	SCREW
5	6255-00001	HORN
6	6110-050125	SCREW, HEX HEAD
7	6244-012085	DC-DC CONVERTER
8	0241-51401	MAIN CONTROL CORD
9	6265-00008	FUSE
10	6256-00280	TIE BAND
11	6256-00200	TIE BAND
12	6256-00120	TIE BAND

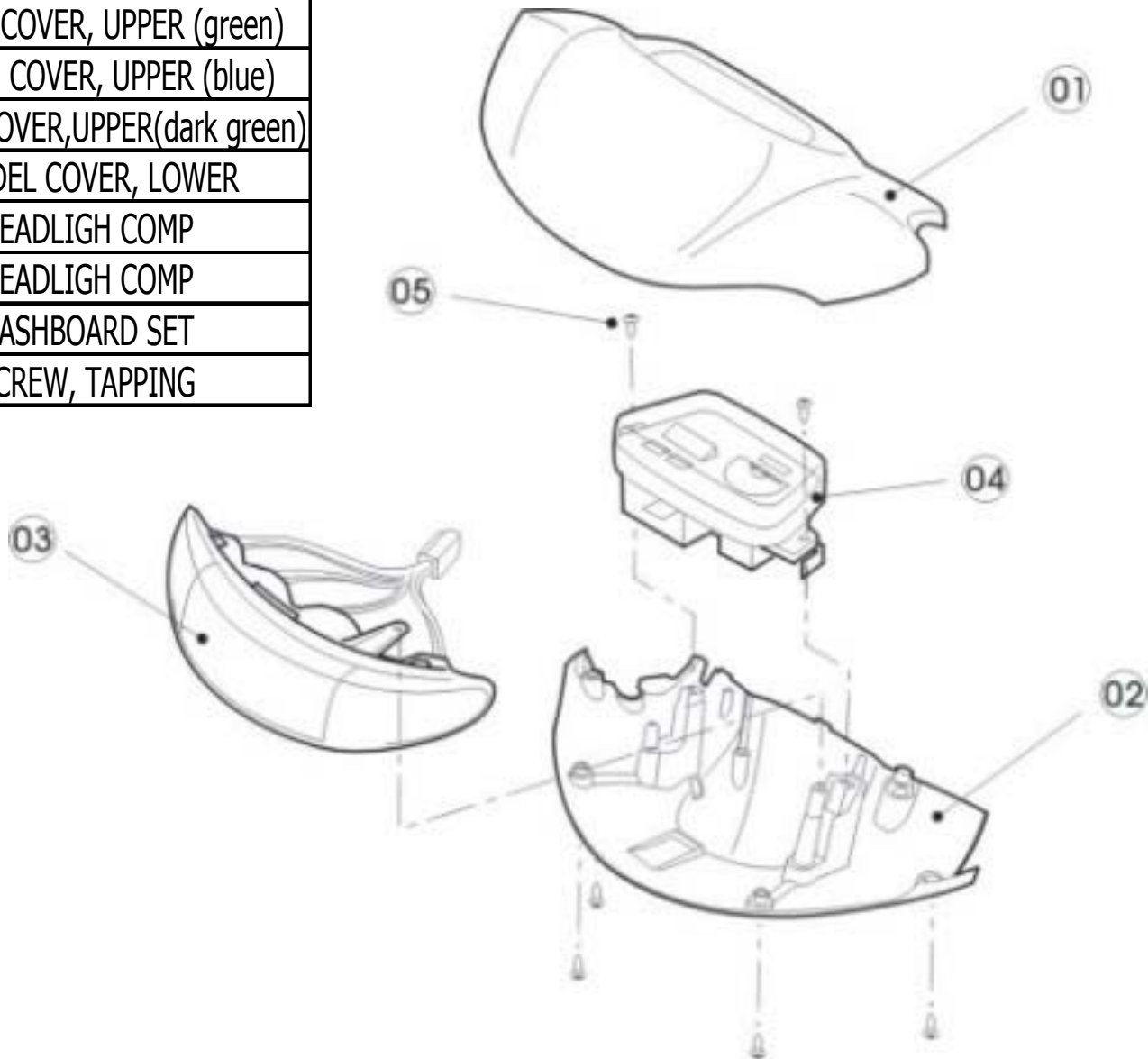




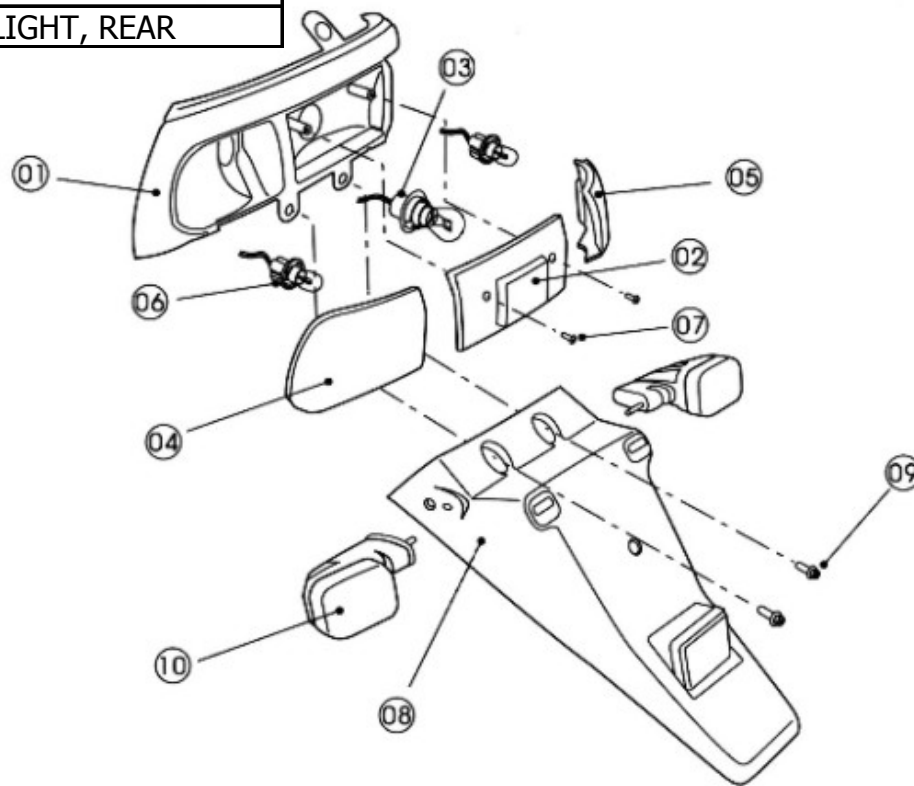
1	0241-40101	HANDLE
2	0241-40401	GRIP, LEFT
3	0241-40501	GRIP, RIGHT
4	0241-40701	HANDLE SWITCH, LEFT
5	0241-40801	HANDLE SWITCH, RIHGT
6	0241-40901	MASTER CYLINDER, LEFT
7	0241-41001	MASTER CYLINDER, RIGHT
8	0241-41101	BRAKE HOSE, REAR
9	0241-41201	BRAKE HOSE, RIGHT
	0241-41202	BRAKE HOSE, RIGHT
10	0241-41901	SCREW, HEX, HEAD
11	0241-41902	WASHER
12	0241-80501	BRAKE FLUID
13	0241-41401	SIGNAL LIGHT
14	0241-41402	BRACKET
15	6126-051008	SCREW
16	6241-00001	FLASHER RELAY
17	0241-41701	CABLE, SPEEDOMETER
	0241-41711	CABLE, SPEEDOMETER
18	0241-41801	REAR VIEWMIRROR SET
19	0241-42811	REAR VIEW MIRROR, L.H
20	0241-42812	REAR VIEW MIRROR, R.H
21	6245-00153	CABLE, THROTTLE
22	6247-00001	TUBE, FLEXIBLE CONDUIT



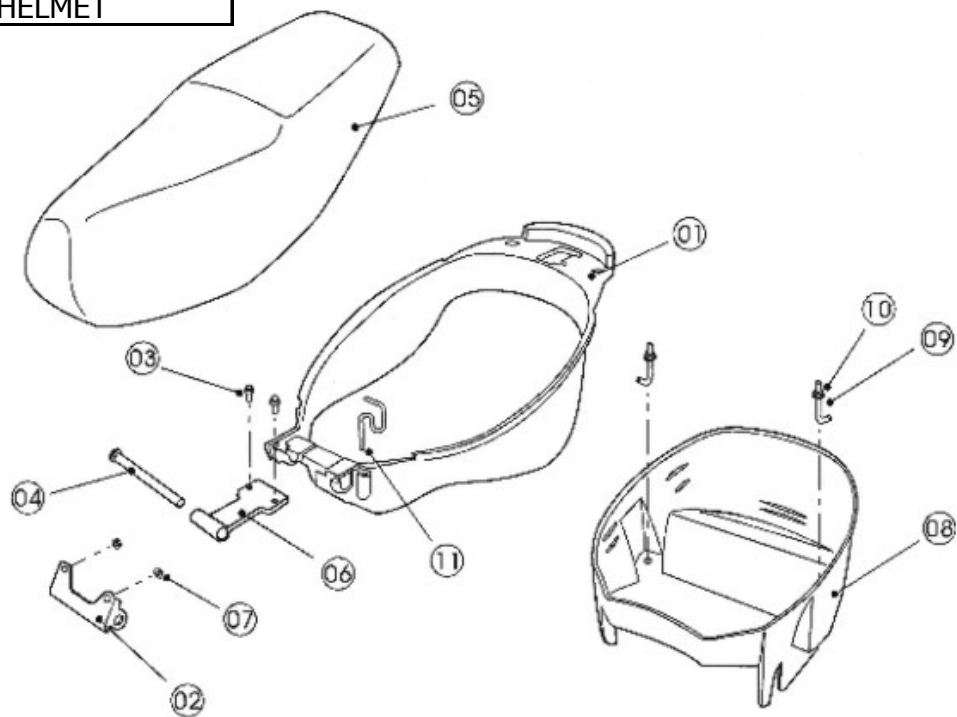
1	0241-40202	HANDLE COVER, UPPER (silver)
	0241-40203	HANDLE COVER, UPPER (red)
	0241-40204	HANDLE COVER, UPPER (green)
	0241-40205	HANDLE COVER, UPPER (blue)
	0241-40208	HANDLE COVER,UPPER(dark green)
2	0241-40301	HANDEL COVER, LOWER
3	0241-41301	HEADLIGH COMP
	0241-41302	HEADLIGH COMP
4	0241-40601	DASHBOARD SET
5	6126-501511	SCREW, TAPPING



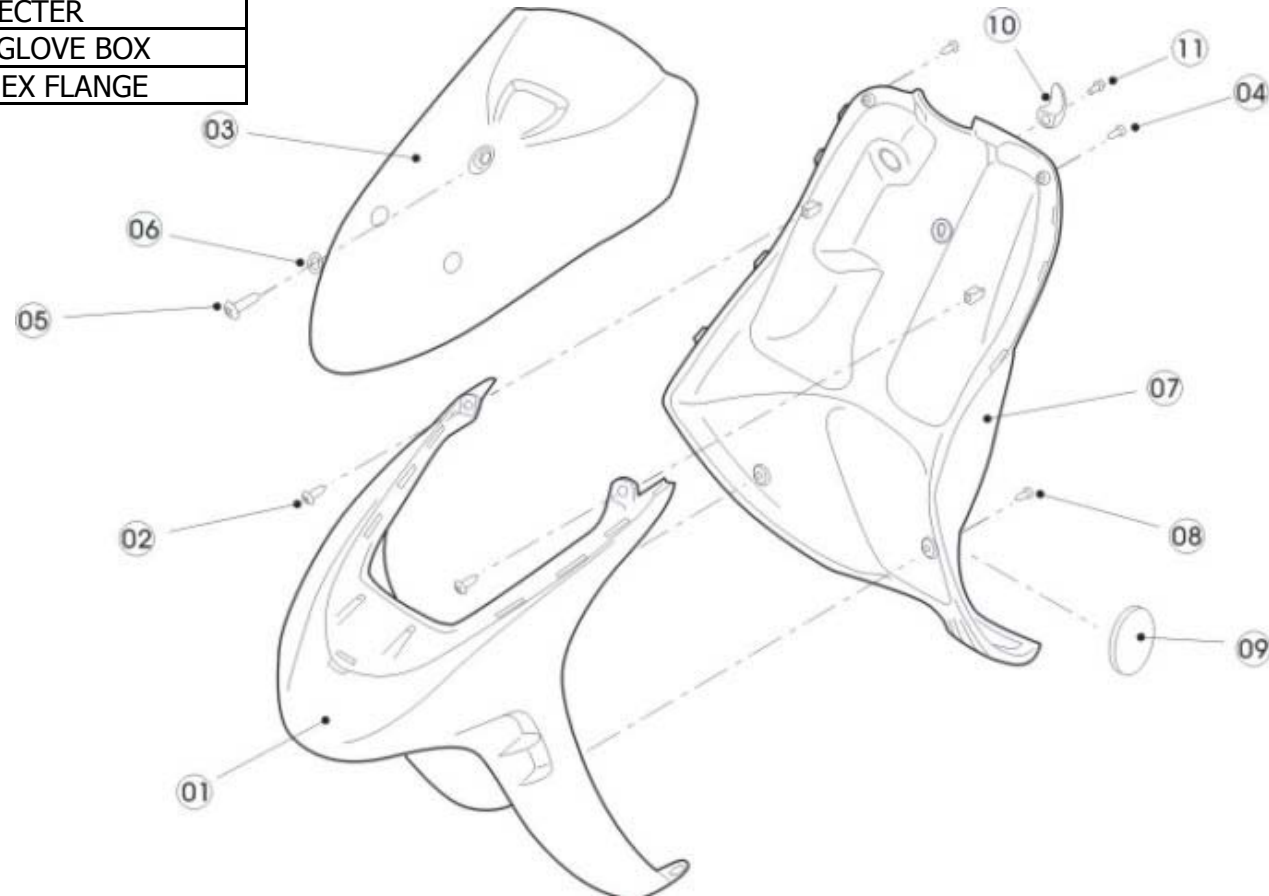
1	0241-71101	TAIL LIGHT SET
	0241-71102	TAIL LIGHT SET
2	0241-71112	COVER, BRAKE LIGHT
3	6242-012005	BULB, BRAKE LIGHT
4	0241-71122	LENS, LEFT
5	0241-71132	LENS, RIGHT
6	6242-012010	BULB
7	6126-031601	SCREW, PAN HEAD
8	0241-71501	LICENSE PLATE HOLDER
	0241-71511	LICENSE PLATE HOLDER
9	6115-060208	SCREW, HEX FLANGE
10	0241-41411	SIGNAL LIGHT, REAR

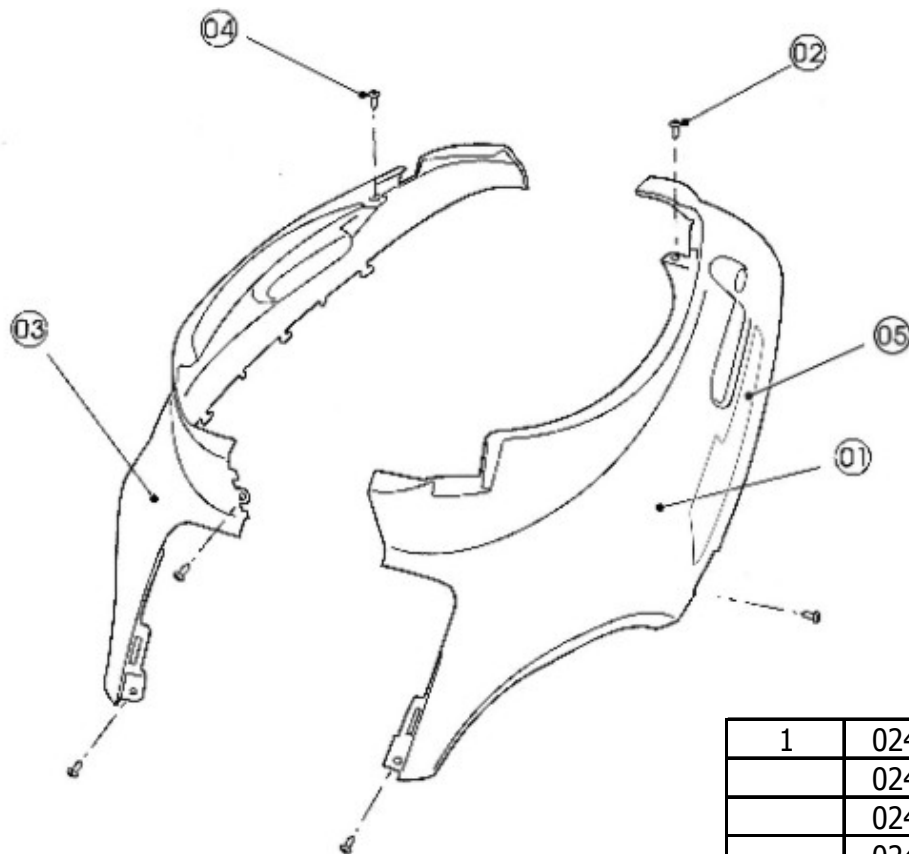


1	0241-70101	SEATBOX RIM
2	0241-70201	HINGE, SEAT
3	6110-060158	SCREW, HEX HEAD
4	0241-70301	PIN, SEAT
5	0241-70401	SEAT
6	0241-72301	BRACKET, SEAT
7	6141-060608	NUT, HEX FLANGE
8	0241-72512	BATTERY COVER
	0241-72501	BATTERY COVER
9	6138-060605	BULT, J END
10	6141-060608	NUT, HEX FLANGE
11	0241-72201	HANGER, HELMET



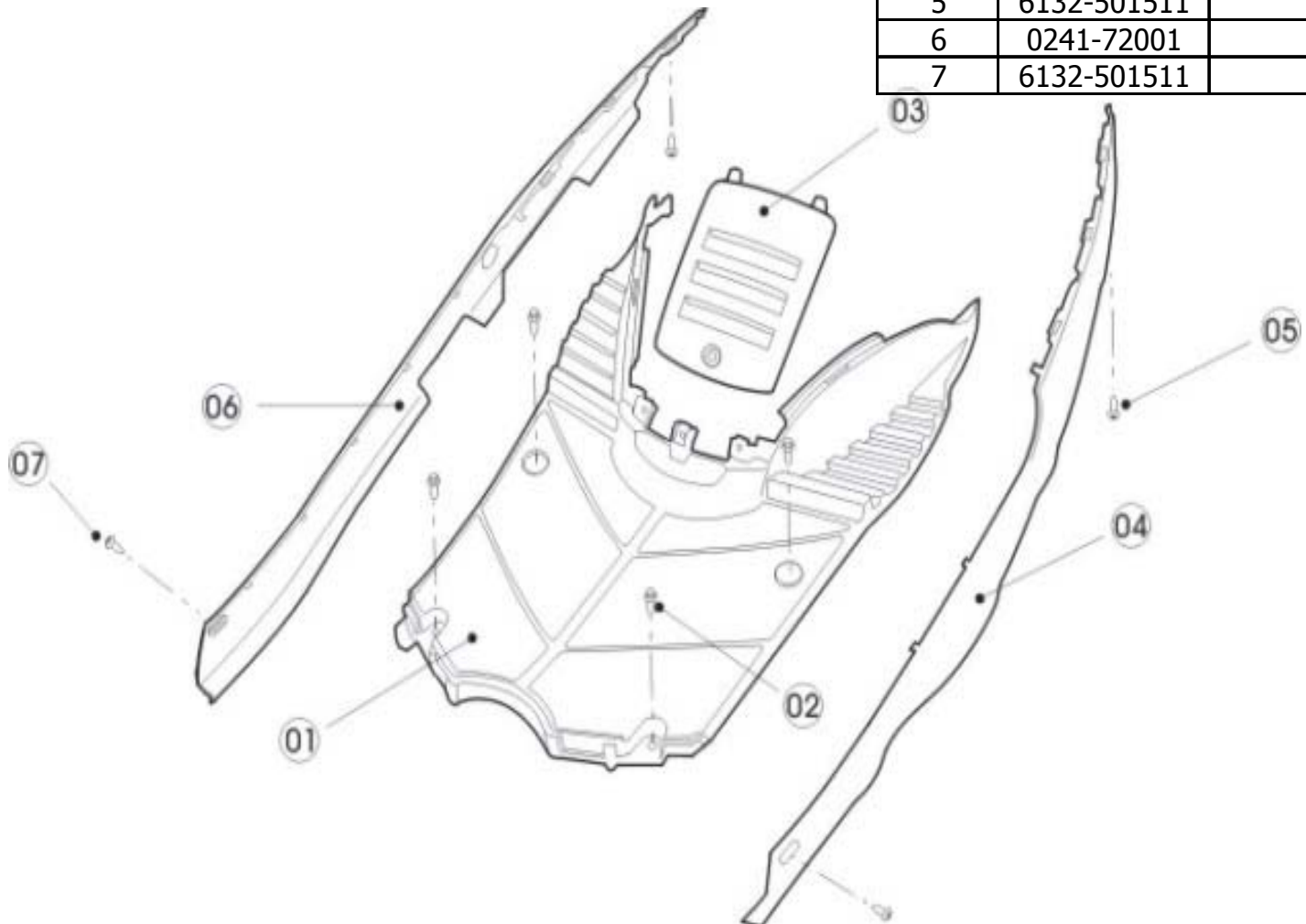
1	0241-70701	TRIM, FRONT
2	6132-501511	SCREW, TAPPING
3	0241-70802	COVER, FRONT (silver)
	0241-70803	COVER, FRONT (red)
	0241-70804	COVER, FRONT (green)
	0241-70805	COVER, FRONT (blue)
	0241-70808	COVER, FRONT (dark green)
4	6132-501511	SCREW, TAPPING
5	6127-061811	SCREW, TAPPING
6	6150-0613125	WASHER
7	0241-70901	GLOVE BOX (w/reflector)
8	6132-401215	SCREW, TAPPING
9	6246-10001	REFLECTOR
10	0241-71201	HANGER, GLOVE BOX
11	6112-060148	SCREW, HEX FLANGE

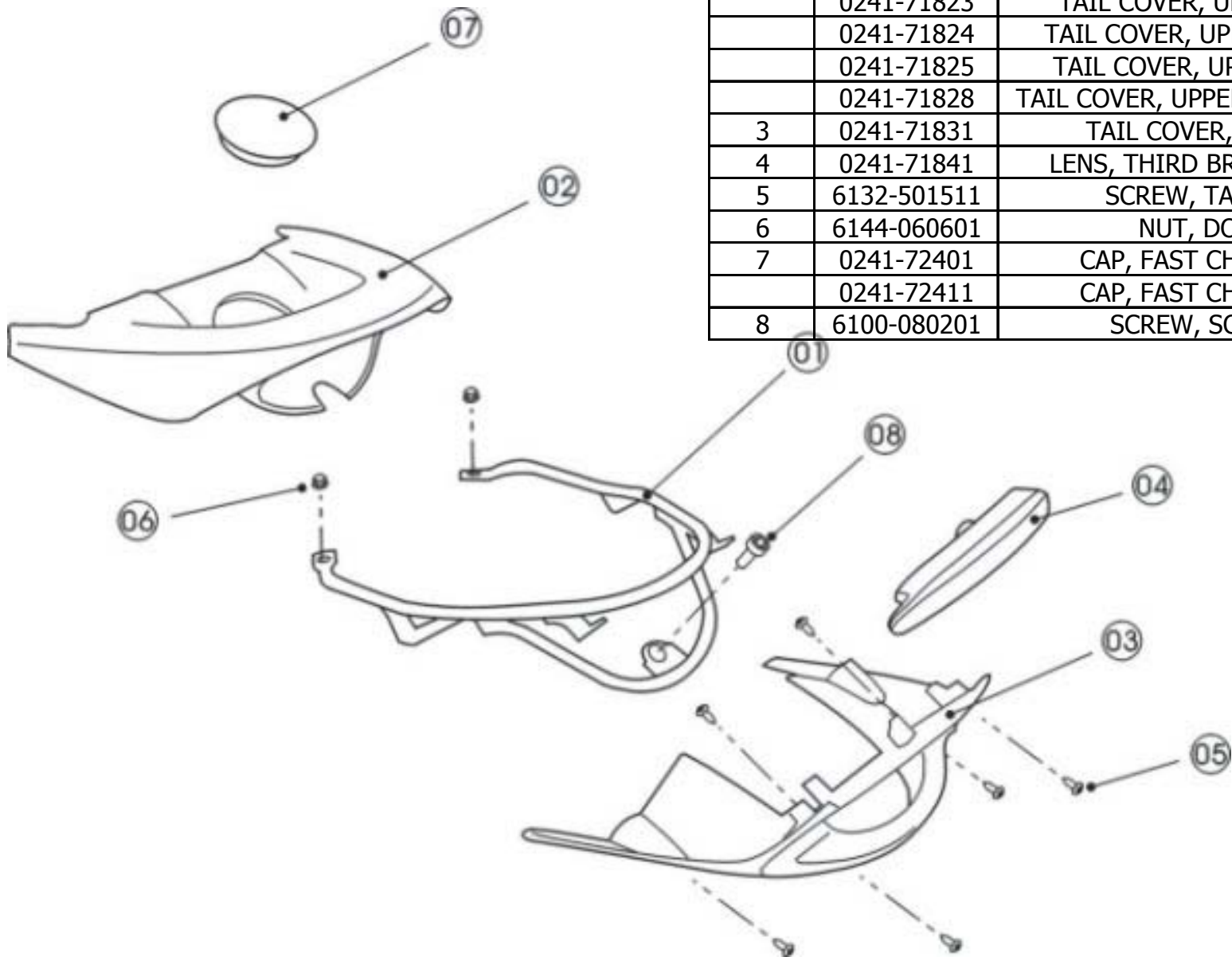




1	0241-70502	COVER, LEFT (silver)
	0241-70503	COVER, LEFT (red)
	0241-70504	COVER, LEFT (green)
	0241-70505	COVER, LEFT (blue)
	0241-70508	COVER, LEFT (dark green)
2	6132-501511	SCREW, TAPPING
3	0241-70602	COVER, RIGHT (silver)
	0241-70603	COVER, RIGHT (red)
	0241-70604	COVER, RIGHT (green)
	0241-70605	COVER, RIGHT (blue)
	0241-70608	COVER, RIGHT (dark green)
4	6132-501511	SCREW, TAPPING
5	0241-80401	STICKER SET
	0241-20402	STICKER SET

1	0241-71301	FLOOR MAT
2	6112-060257	SCREW, HEX FLANGE
3	0241-71402	COVER, CENTER (silver)
	0241-71403	COVER, CENTER (red)
	0241-71404	COVER, CENTER (green)
	0241-71405	COVER, CENTER (blue)
	0241-71408	COVER, CENTER (dark green)
4	0241-71901	TRIM, LEFT
5	6132-501511	SCREW, TAPPING
6	0241-72001	TRIM, RIGHT
7	6132-501511	SCREW, TAPPING





1	0241-71811	TAIL BRACKET
2	0241-71822	TAIL COVER, UPPER (silver)
	0241-71823	TAIL COVER, UPPER (red)
	0241-71824	TAIL COVER, UPPER (green)
	0241-71825	TAIL COVER, UPPER (blue)
	0241-71828	TAIL COVER, UPPER (dark green)
3	0241-71831	TAIL COVER, LOWER
4	0241-71841	LENS, THIRD BRAKE LIGHT
5	6132-501511	SCREW, TAPPING
6	6144-060601	NUT, DOME
7	0241-72401	CAP, FAST CHARGING
	0241-72411	CAP, FAST CHARGING
8	6100-080201	SCREW, SOCKET

1	6253-120500	BATTERY (50Ah)
	6253-120260	BATTERY (26Ah)
	6253-120400	BATTERY (40Ah)
2	0241-60102	BAG, BATTERY
3	0241-60301	BATTERY CORD SET (short)
4	0241-60311	BATTERY CORD SET (long)
5	0241-60401	CONNECTION CORD, BATTERY

